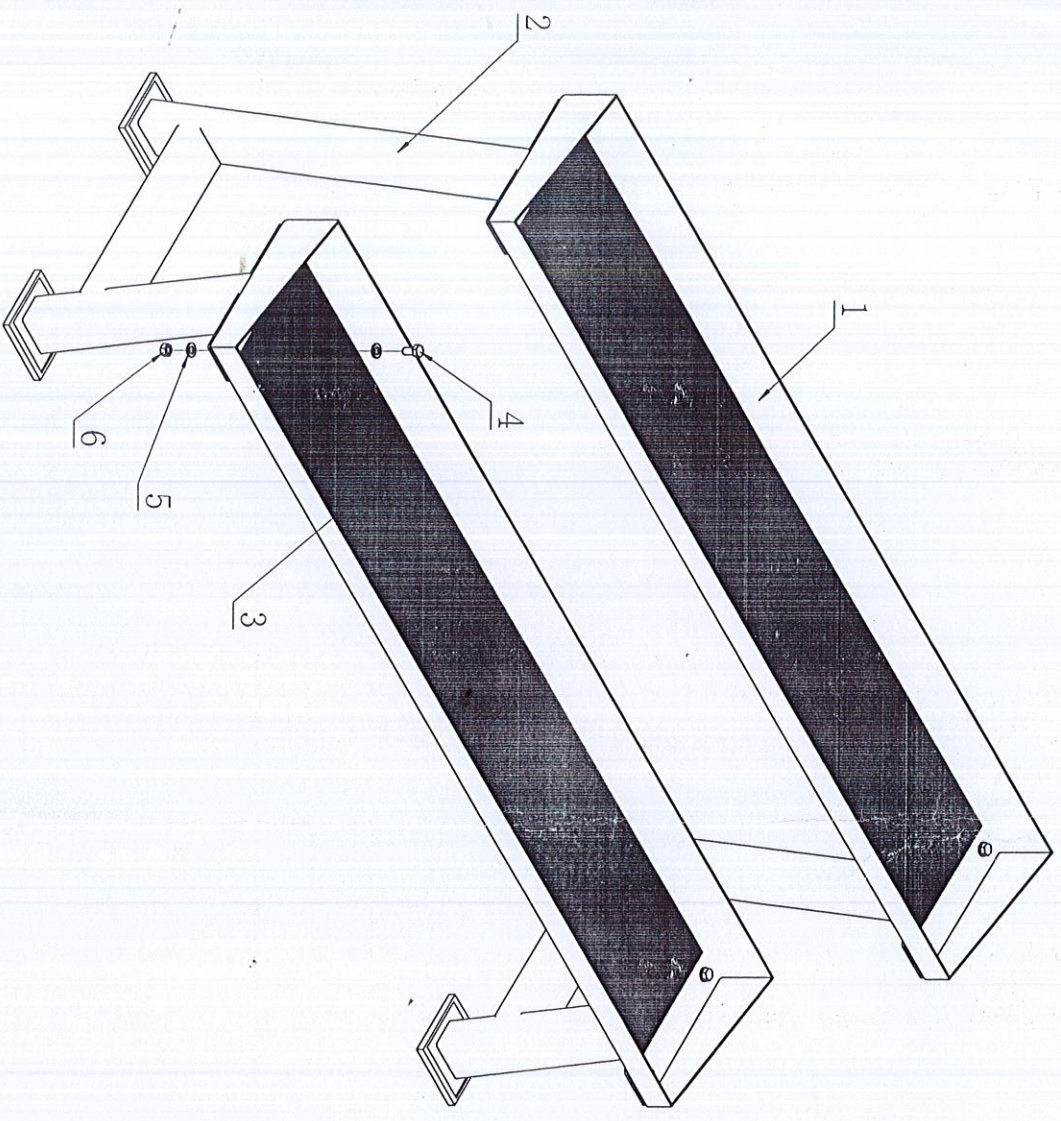


1024-00-00-0



The instructions

No.	Description	Q'ty
1	The kettle bell tray	2
2	Upright stand	2
3	Prevent slipper skin	2
4	Bolt M10*20	8
5	washer φ 10	16
6	Nut M10	8